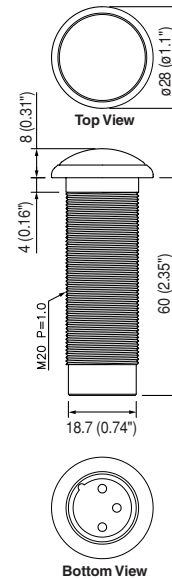


EM-600

Flush-Mount Boundary Microphone



APPEARANCE AND DIMENSIONAL DIAGRAM



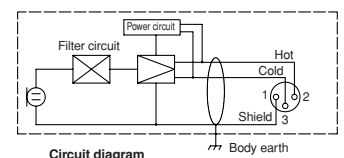
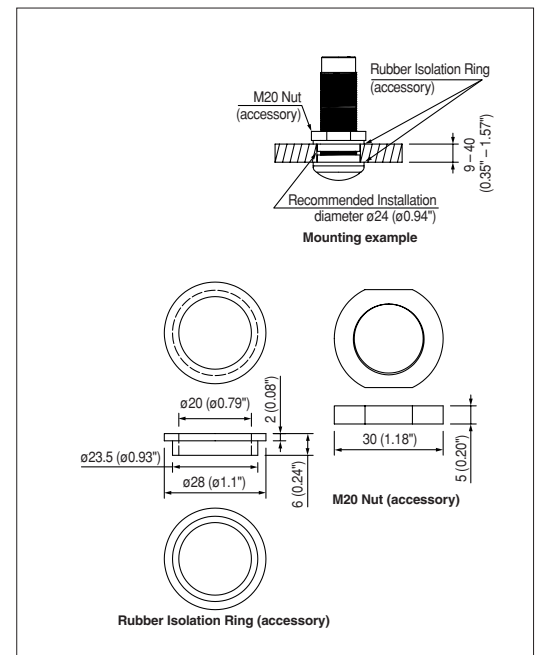
unit: mm

DESCRIPTION

The TOA EM-600 has an unobtrusive design that allows simple flush-mounting in walls, ceilings and desktops, making it particularly well-suited for conference room recording, as well as in security monitoring applications. An electret condenser microphone element's omnidirectional pickup pattern ensures a high degree of sensitivity and a wide frequency range. The EM-600's has been designed to minimize interference from low-frequency sounds that may degrade audio reproduction. It also incorporates two rubber isolation rings to resist vibrations that may adversely affect audio quality.

FEATURES

- Ideal for conference room recording and security monitoring.
- Electret condenser microphone element with omnidirectional pattern for comprehensive pickup.
- Unobtrusive design allows easy flush-mounting in walls, ceilings, and desktops.
- Optimized to deliver best performance when used on a desk or attached to a ceiling.
- A 50 Hz low-cut filter reduces intrusive noise, such as air conditioner rumble or door opening/closing.
- Two rubber isolation rings are provided as an accessory serving to reduce vibration.
- Wide frequency range (30Hz – 20kHz) provides well-balanced sound with clarity and a satisfying tonal response.
- Phantom power range of 9 to 52 volts enhances operational versatility.

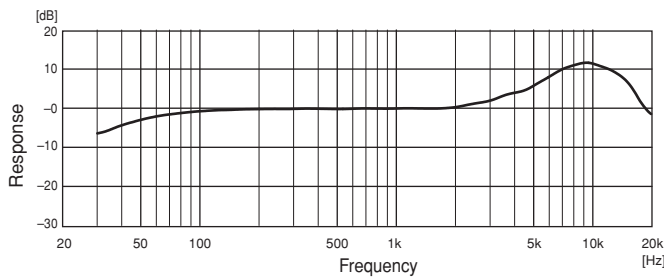


SPECIFICATIONS

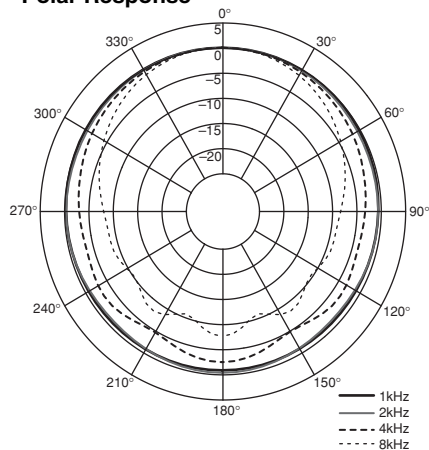
Element	Electret condenser
Polar Pattern	Omnidirectional
Rated Impedance	120 Ω, balanced
Rated Sensitivity	-36 dB (1kHz 0 dB = 1V/Pa)
Phantom Power	9 – 52 V DC
Frequency Response	30 Hz – 20k Hz
Output Connector	XLR-3-12 equivalent
Operating Temperature	0°C to +40°C (32°F to 104°F)
Finish	Body: Steel, white, semi-gloss, paint Head: Zinc-plated steel wire, white, semi-gloss, paint
Dimensions	ø28 × 68mm (ø1.1" × 2.68")
Weight	85g (0.19 lb)
Accessory	Rubber Isolation Ring × 2, M20 Nut × 1

CHARACTERISTIC DIAGRAMS

Frequency Response



Polar Response



ARCHITECTURAL AND ENGINEERING SPECIFICATIONS

The flush-mount boundary microphone shall be designed for sound pick-up applications, be 28 mm (1.1") in diameter, and have an omnidirectional electret condenser microphone element. It shall be unobtrusively mountable into a ceiling, wall or desk. Frequency response shall be 30 Hz to 20k Hz. Rated impedance shall be 120 Ω, balanced, and rated sensitivity shall be -36 dB (1k Hz 0 dB=1 V/Pa). A 50 Hz low-cut filter shall reduce intrusive noise. The microphone shall be powered by any phantom power source supplying 9 – 52 volts.

The output connector shall be XLR-3-12 equivalent. Operating temperature shall be 0° C to +40° C (32° F to 104° F). Body finish shall be steel, and head finish shall be zinc-plated steel wire, both with white semi-gloss paint. Dimensions shall be ø28 x 68 mm (ø1.1" × 2.68"), and weight shall be 85 g (0.19 lb). Two rubber isolation rings and an M20 nut shall be provided as accessories. The microphone shall provide clear and high-quality sound, and be well-suited for conference recording and security monitoring applications.

The flush-mounted boundary microphone shall be TOA model EM-600.